

Construction Notes:

1. Wires are not to exit the rear of the meter base. May need to mount the meter base and disconnect box to a board, and then attach to pole.
2. Mark neutral with white tape
3. If ground rod is less than 25 ohms, no supplemental rod is required.
4. All phone, cable and satellite connections are to be bonded to the point of service as specified in the NEC.
5. 4 Wires required for mobile homes:
2 hot wires
1 ground wire
1 neutral wire
6. Install minimum 10ft from home.

Meter Base, Disconnect Switch & Secondary Mast Installed & Owned by Member

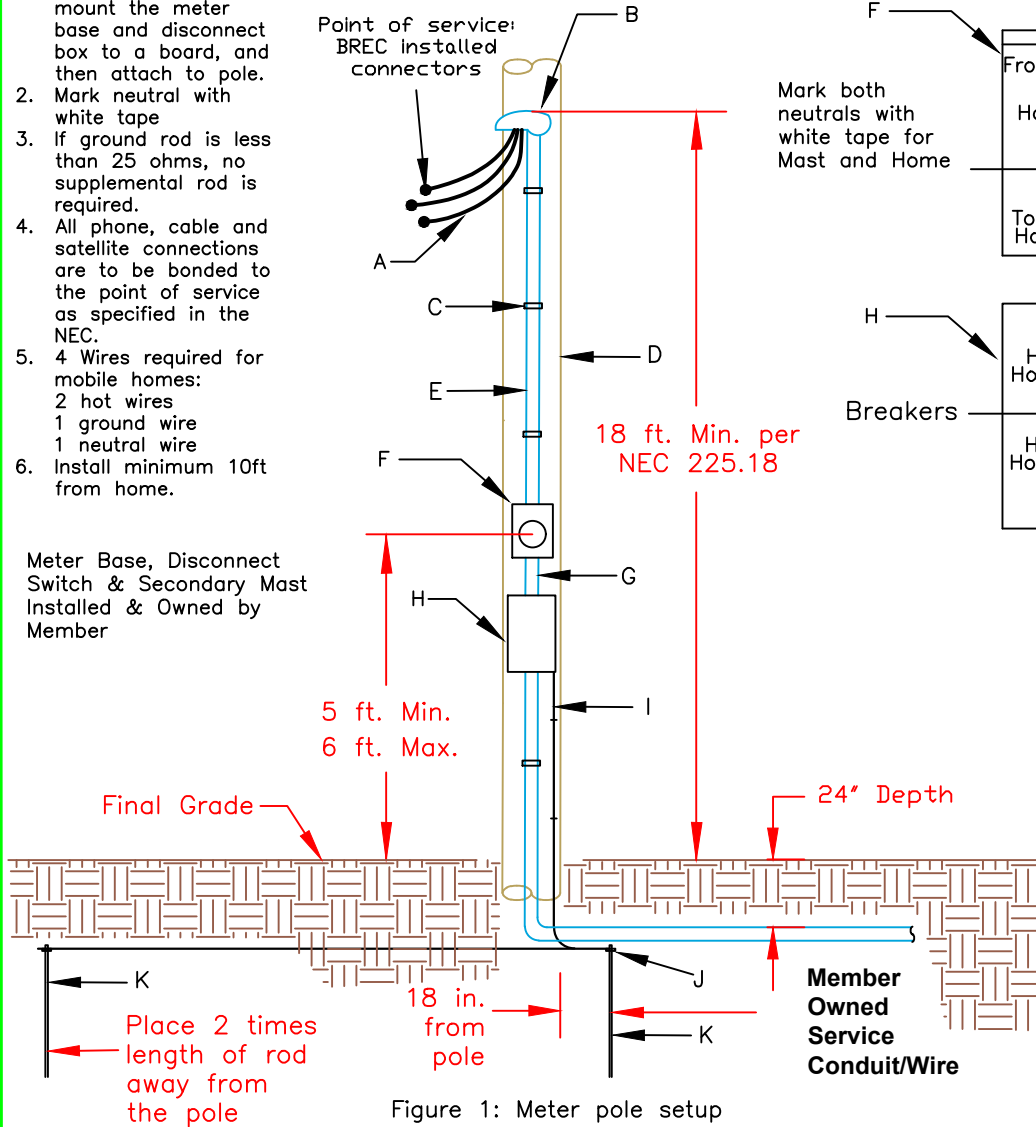
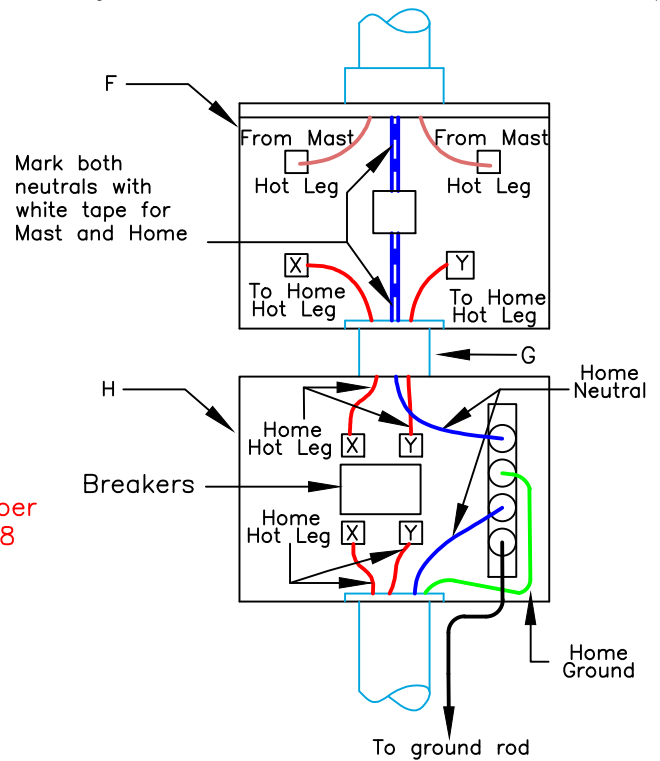


Figure 1: Meter pole setup

Figure 2: Meter base and disconnect box setup



Pole Notes:

1. Pole top diameter to be at least 6 in.
2. Use treated wood.
3. When setting the pole, place a small amount of soil into hole and tamp. Once soil is tamped, place more into hole and tamp. Repeat process until hole is filled. This helps to prevent the pole from leaning.
4. Guy wire may be needed. BREC will determine.

Table 1: Wire Sizes

Item	Service Capacity	
	100 Amps	200 Amps
Wire Size		
Copper	#2	#2/0
Aluminum	#2	#4/0
Conduit Size	1 1/4 in. schedule 40 PVC	2 in. schedule 40 PVC
Solid bare copper ground wire	#6	#6
Ground rod Copper weld or galvanized	5/8 in. diameter 8 ft. long	5/8 in. diameter 8 ft. long

Table 2: Description of Parts

Item	Part	Qty.	Notes
A	Customer's Wires	3	Wires. Leave 36 in. of slack
B	Weather head	1	
C	Conduit clamps		Spaced maximum of 5 ft. apart
D	Treated Wood Pole		24ft minimum pole height, bury 10% of height plus 2ft
E	Conduit		See Table 1.
F	Meter base		The center of the meter base shall be as shown
G	Waterproof connector		Connects meter base to disconnect box. Need conduit bushings and washers
H	Disconnect Box		100A or 200A Meter/Breaker, Multi-Circuit, must be Underwriters Laboratories (UL) Listed
I	Ground Wire	1	See Table 1. Bury wire at least 6 in. deep
J	Ground rod clamp	2	Connects ground wire to ground rod
K	Ground rod	2	See Table 1. To be buried at least 18 in. from pole and minimum 8 ft. in length Reference NEC 250.52 for more information.



Buckeye REC

Your Touchstone Energy® Cooperative
The power of human connections®

100/200 Amp Meter Pole
Meter Base with Disconnect

December 2020

4848 State Route 325 S P.O. Box 200
Rio Grande, Ohio 45674
Phone: 740-379-2080
Toll Free: 1-800-231-2732

OVERHEAD