

Construction Notes:

1. Wires are not to exit the rear of the meter base.
2. Mark neutral with white tape
3. If ground rod is less than 25 ohms, no supplemental rod is required.
4. Install minimum 1/4 in. Nylon rope in conduit.
5. All phone cable and satellite connections are to be bonded to the point of service as specified in NEC
6. 4 Wires required for mobile homes:
2 hot wires
1 ground wire
1 neutral wire
7. Install minimum 10ft from home.

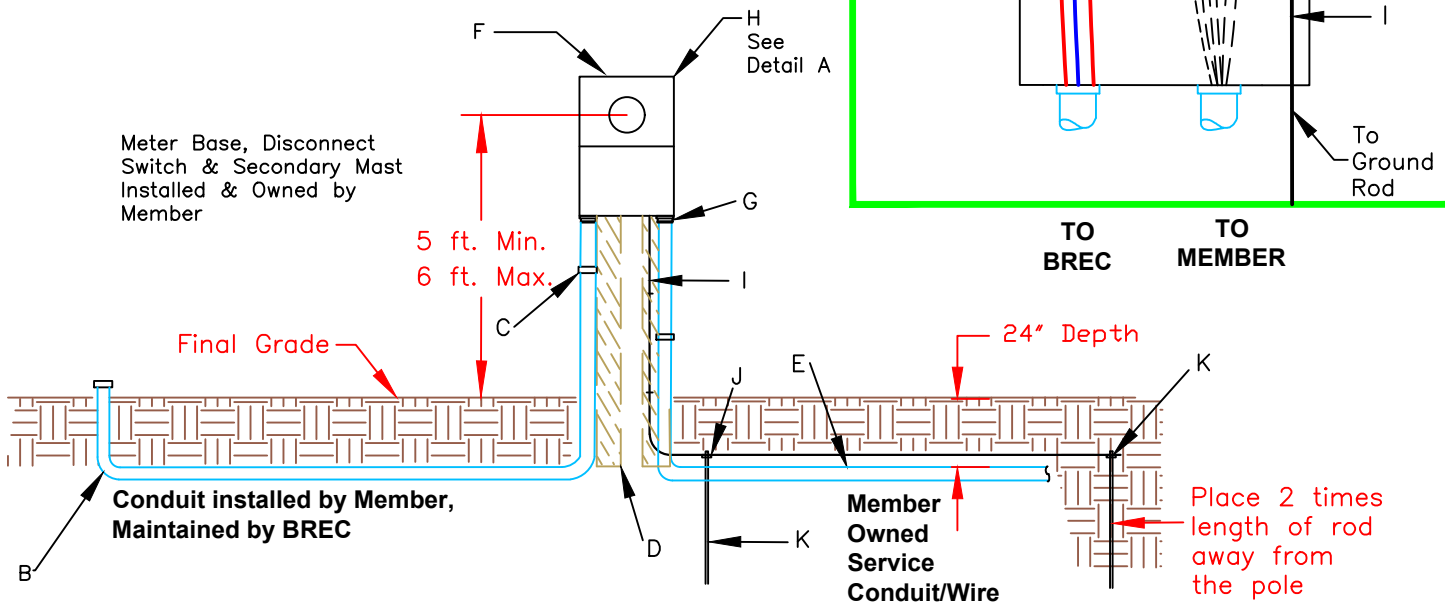
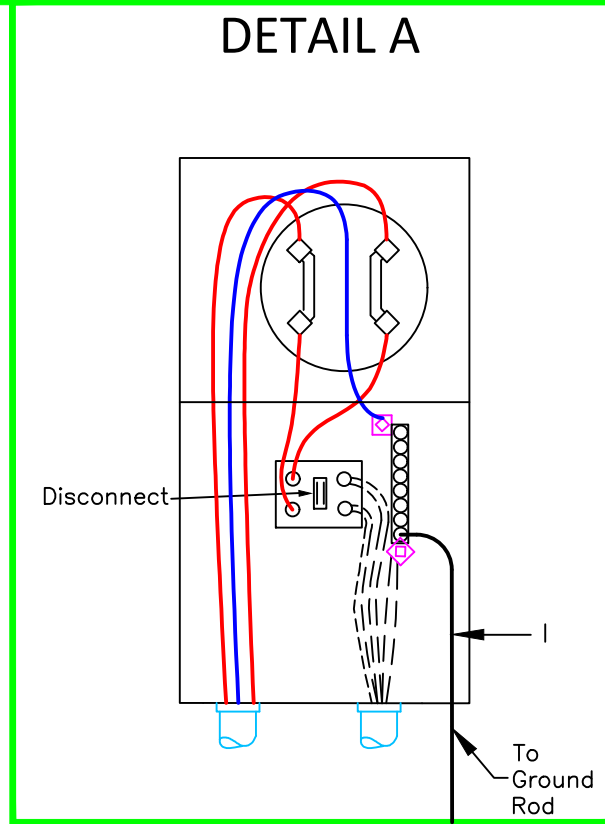


Table 1: Wire Sizes

Item	Service Capacity - 200A
Copper	#2/0
Aluminum	#4/0 MCM
Solid bare copper ground wire	#6
Ground rod Copper weld or galvanized	5/8 in. diameter 8 ft. long

Table 2: Description of Parts

Item	Part	Qty.	Notes
B	Long Sweep, Elbow	2	EII, 3in. PVC
C	Conduit clamps		Spaced maximum of 3 ft. apart
D	Treated Wood Posts	2	Pressure Treated Post 6 in. x 6 in. x 10 ft.
E	Conduit		2-1/2 in. schedule 40 PVC, set 10 ft. minimum from BREC Pole
F	Meter base		The center of the meter base shall be 5 ft. to 6 ft. above final grade
H	Disconnect Box		200A Meter/Breaker, Multi-Circuit, must be Underwriters Laboratories (UL) Listed
I	Ground Wire	1	See Table 1. Bury wire at least 6 in. deep
J	Ground rod clamp	2	Connects ground wire to ground rod
K	Ground rod	2	See Table 1. To be buried at least 18 in. from pole and minimum 8 ft. in length Reference NEC 250.52 for more information.

200 Amp Meter Pole
Meter Base / Disconnect Combo

December 2020

4848 State Route 325 S P.O. Box 200
Rio Grande, Ohio 45674
Phone: 740-379-2080
Toll Free: 1-800-231-2732

UNDERGROUND

01