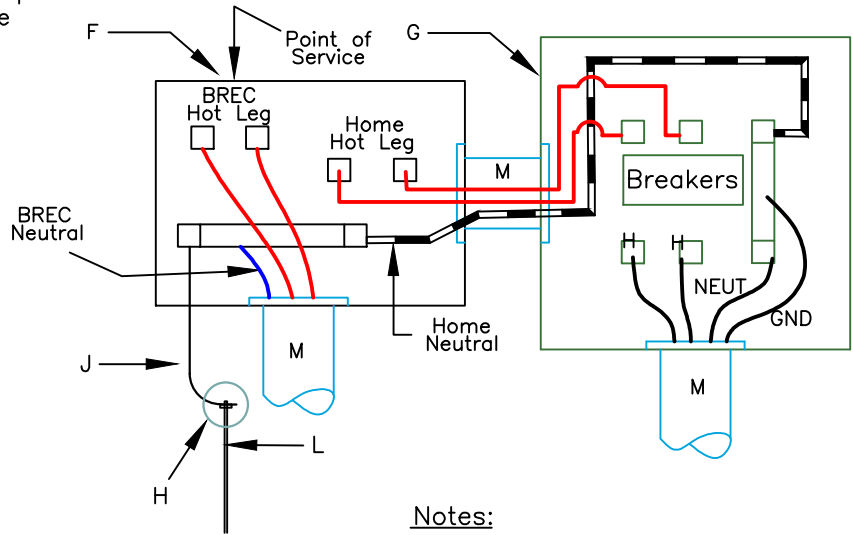
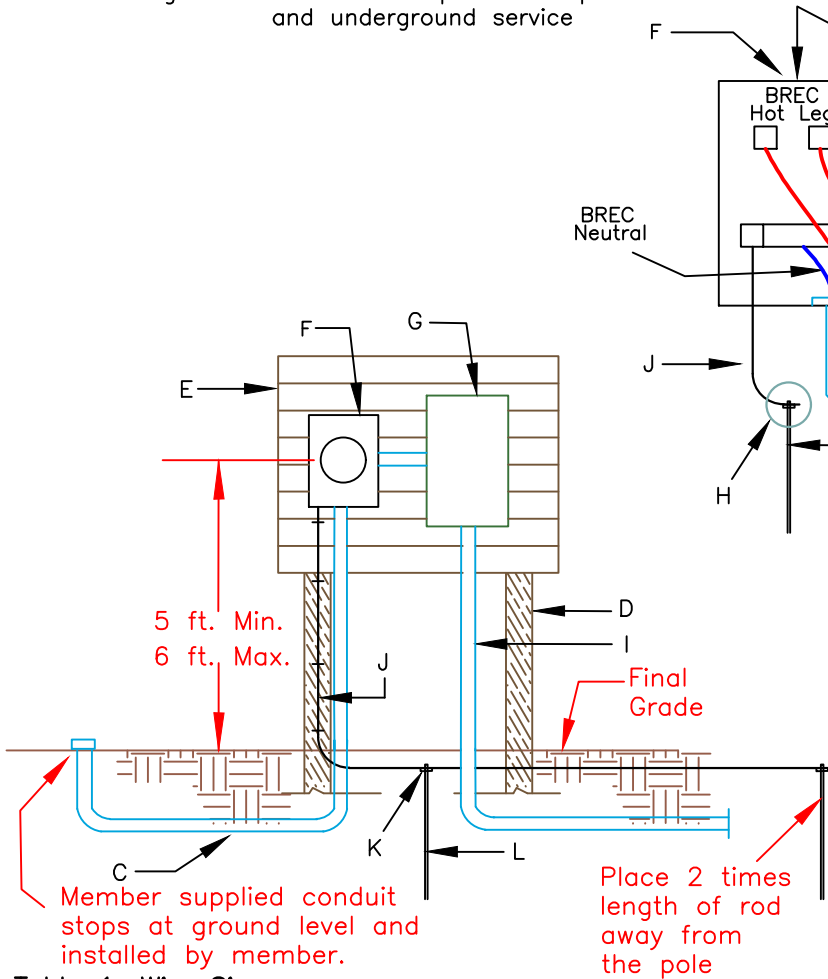


Use this setup with underground service

Figure 1: General concept for the pedestal and underground service

Figure 2: Meter base and disconnect box setup



Notes:

1. 4 Wires required for mobile homes
 - * 2 hot wires
 - * 1 ground wire
 - * 1 neutral wire
2. Mark both neutrals with white tape for BREC and Home
3. See Table 1 for description of parts
4. See Table 2 for wire sizes
5. All phone, cable and satellite connections are to be bonded to the point of service as specified in the NEC.
6. Ground rod must be less than 25 ohms as specified in the NEC
7. INSTALL MINIMUM ¼ in. NYLON ROPE IN CONDUIT.

Table 1: Wire Sizes

| Item | Service Capacity | |
|---------------------------|---------------------------|---------------------------|
| | 100 Amps | 200 Amps |
| Wire Size | | |
| Copper | #2 | #3/0 |
| Aluminum | #2 | #4/0 |
| Conduit Size | 2 1/2 in. schedule 40 PVC | 2 1/2 in. schedule 40 PVC |
| Bare copper ground wire | #6 | #6 |
| Ground rod | 5/8 in. diameter | 5/8 in. diameter |
| Copper weld or galvanized | 8 ft. long | 8 ft. long |

Table 2: Description of Parts

| Item | Part | Qty. | Notes |
|------|--|------|--|
| C | 2 1/2 in. schedule 40 conduit or larger | | Set 20 ft. minimum from Buckeye REC pole. Long sweeping elbow. No right angle elbows allowed. Supplied and installed by member. Weep holes optional with gravel to allow water to drain. |
| D | 6 in. x 6 in. treated posts | 2 | Bury 3 ft. deep. Must be tall enough so that the center of the meter base will be 5 ft. to 6 ft. tall. Cut the top of the post at an angle such that water will drain away from the electrical panels. |
| E | Backboard for mounting meter base and disconnect box | | Use 2 in. x 6 in. treated boards. Use enough boards to mount the meter base and disconnect box. Nail the 2 in. x 6 in. boards to the 6 in. x 6 in. treated posts. |
| F | Meter base | 1 | Must be level, face the street or walkway and be Underwriters Laboratories (UL) Listed |
| G | Disconnect Box | 1 | Must be level, multi-circuit, must be Underwriters Laboratories (UL) Listed |
| H | Ground wire, ground rod and ground clamp | | See Table 1. |
| I | 2 1/2 in. schedule 40 conduit or larger | | Exits bottom of disconnect |
| J | Ground Wire | | See Table 1. Connect to neutral bar |
| K | Ground Clamp | | Connects the ground wire to the ground rod |
| L | Ground Rod | 2 | See Table 1. To be buried at least 18 in. from meter base and 8 ft. deep. Reference NEC 250.56 for resistance levels. |
| M | Water tight connectors | | Connects the conduit to the electrical panels |



Buckeye REC

Your Touchstone Energy® Cooperative
The power of human connections®

December 2020

OVERHEAD

200 Amp Meter Pedestal
with Meter Base and Disconnect

4848 State Route 325 S P.O. Box 200
Rio Grande, Ohio 45674
Phone: 740-379-2080
Toll Free: 1-800-231-2732