

Construction Notes:

1. Wires are not to exit the rear of the meter base. May need to mount the meter base and disconnect box to a board, and then attach to pole.
2. Mark neutral with white tape
3. If ground rod is less than 25 ohms, no supplemental rod is required.
4. All phone, cable and satellite connections are to be bonded to the point of service as specified in the NEC.
5. 4 Wires required for mobile homes:
2 hot wires
1 ground wire
1 neutral wire
6. Install minimum 10ft from home.

400 Amp Levery Bypass Meter Main Combination with Ringless Cover

DETAIL A

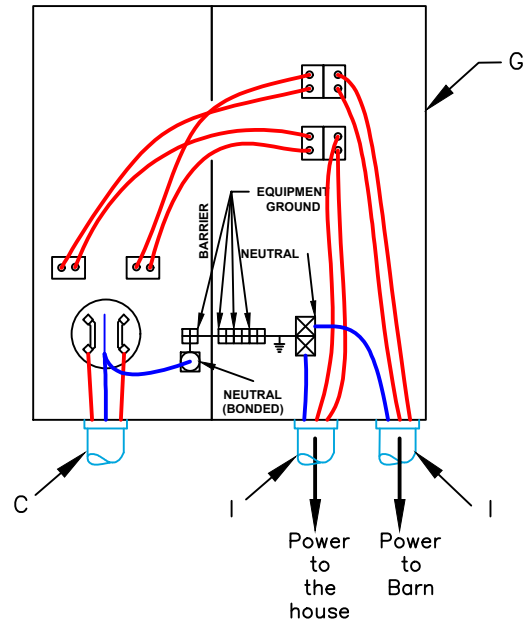


Figure 2: Meter base and disconnect boxes setup

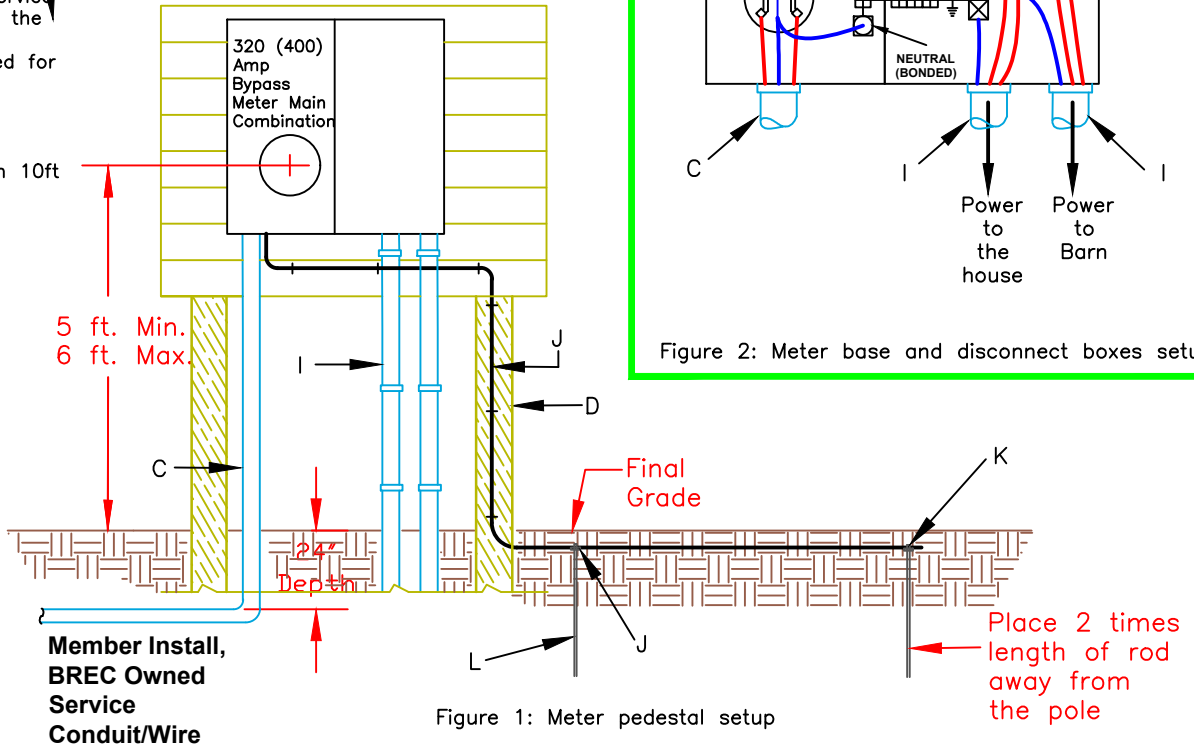


Figure 1: Meter pedestal setup

Table 1: Wire Sizes

Item	Service Capacity
Wire Size	400 Amps
Copper	#4/0
Aluminum	350MCM
Conduit Size	3 in. schedule 40 PVC
Bare copper ground wire	#6 Bare copper
Ground rod	5/8 in. diameter
Copper weld or galvanized	8 ft. long

Table 2: Description of Parts

Item	Part	Qty.	Notes
C	3 in. schedule 40 conduit or larger		Set 20 ft. MINIMUM from Buckeye REC pole. Long sweeping elbow. No right angle elbows allowed. Install weep holes
D	6 in. x 6 in. treated posts	2	Bury 3 ft. deep. Must be tall enough so that the center of the meter base will be 5 ft. to 6 ft. tall. Cut the top of the post at an angle such that water will drain away from the electrical panels.
E	Backboard for mounting meter base and disconnect box		Use 2 in. x 6 in. treated boards. Use enough boards to mount the meter base and disconnect box. Nail the 2 in. x 6 in. boards to the 6 in. x 6 in. treated posts.
F	Meter & Main Combo	1	Must be level, have over current protection and be waterproof, multi-circuit
I	2 in. schedule 40 conduit or larger		Member installed and owned conduit. Exits bottom of cabinet
J	Ground Wire	1	See Table 1. Connect to neutral bar
K	Ground Clamp	2	Connects the ground wire to the ground rod
L	2-Ground Rod	2	See Table 1. To be buried at least 18 in. from pole and minimum 8 ft. in length Reference NEC 250.52 for more information.



Buckeye REC

Your Touchstone Energy® Cooperative
The power of human connections®

400 Amp Meter Pedestal
Meter base with 2-Disconnects

December 2020

UNDERGROUND

4848 State Route 325 S P.O. Box 200
Rio Grande, Ohio 45674
Phone: 740-379-2080
Toll Free: 1-800-231-2732