

Use this setup with overhead service

Ground Clearance

- 18 ft. above public streets or areas subject to truck traffic
- EXCEPTION: 12 ft. above residential driveway only

Construction Notes:

1. Wires are not to exit the rear of the meter base
2. May need to mount the meter base and disconnect box to a board, and then attach to pole.
3. May need guy wire. Talk to your assigned engineer
4. Mark neutral with white tape

Meter Base, Disconnect Switch & Secondary Mast Installed & Owned by Member

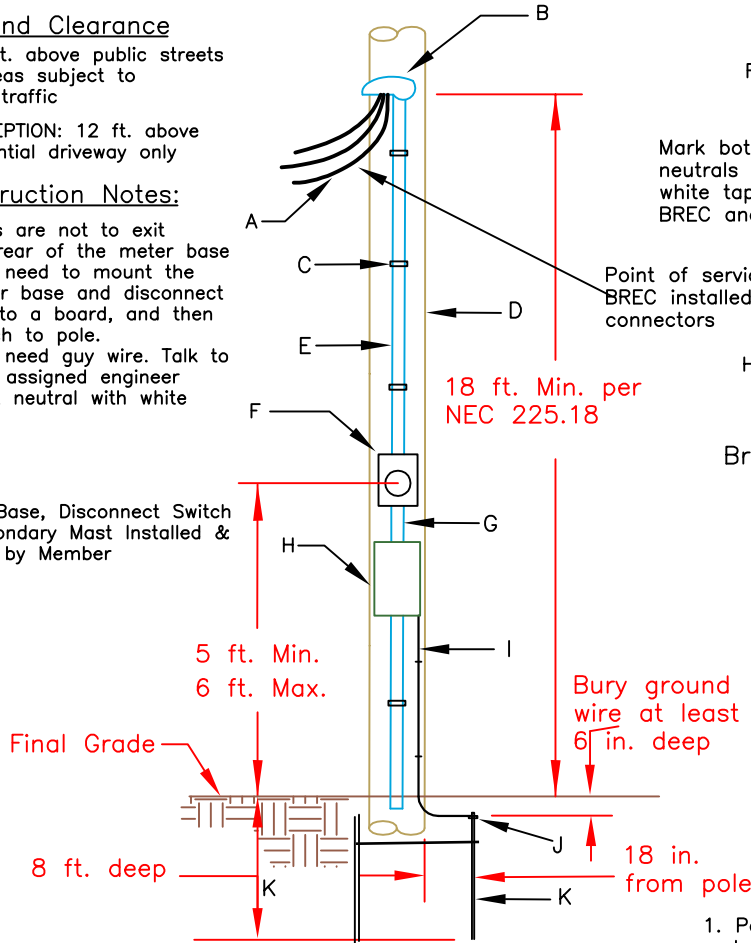
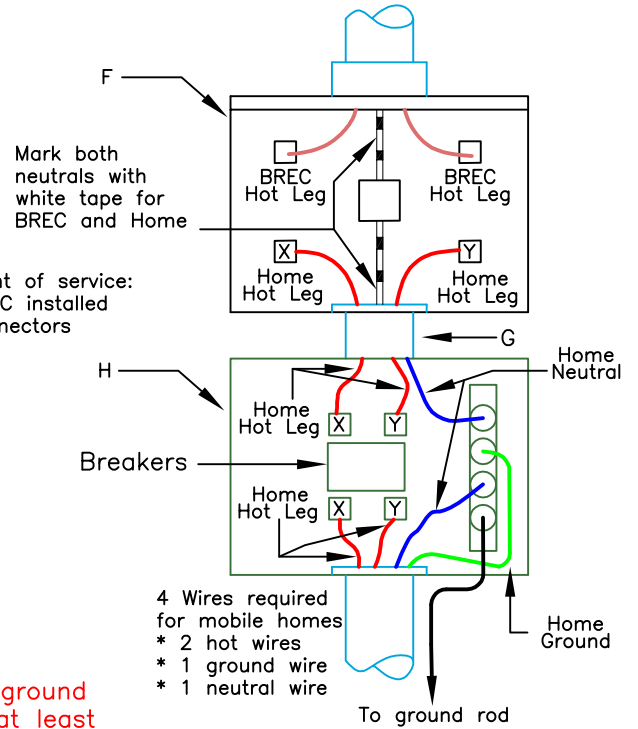


Figure 1: Meter pole setup

Figure 2: Meter base and disconnect box setup



General Notes:

1. All phone, cable and satellite connections are to be bonded to the point of service as specified in the NEC.
2. Ground rod must be less than 25 ohms as specified in the NEC

Pole Notes:

1. Pole top diameter to be at least 6 in.. The larger the diameter, the stronger the pole
2. Use treated pine. The treated wood lasts longer than untreated
3. When setting the pole, place a small amount of soil into hole and tamp. Once soil is tamped, place more into hole and tamp. Repeat process until hole is filled. This helps to prevent the pole from leaning.
4. Guy wire may be needed. Talk to your assigned engineer.

2 GROUND RODS NOW REQUIRED

Table 2: Pole Heights

Pole Height	Bury pole this deep
30 ft.	5 ft.
35 ft.	5 1/2 ft.
40 ft.	6 ft.

Table 3: Wire Sizes

Item	Service Capacity	
	100 Amps	200 Amps
Wire Size		
Copper	#2	#2/0
Aluminum	#2	#4/0
Conduit Size	1 1/4 in. schedule 40 PVC	2 in. schedule 40 PVC
Bare copper ground wire	#6	#6
Ground rod	5/8 in. diameter	5/8 in. diameter
Copper weld or galvanized	8 ft. long	8 ft. long

Table 1: Description of Parts

Item	Part	Notes
A	Customer's Wires	3 wires. Leave 24 in. of slack
B	Weather head	Place 18 in. below top of pole
C	Conduit clamps	Spaced maximum of 5 ft. apart
D	Pole	See Table 2
E	Conduit	See Table 3
F	Meter base	The center of the meter base shall be 5 ft. to 6 ft. above final grade
G	Waterproof connector	Connects meter base to disconnect box. Need conduit bushings and washers
H	Disconnect Box	Multi-Circuit
I	Ground Wire	See Table 3. Extends 18 in. away from pole
J	Ground rod clamp	Connects ground wire to ground rod
K	Ground rod	See Table 3. To be buried at least 18 in. from pole and 8 ft. deep Reference NEC 250.56 for resistance levels.



Buckeye REC

Your Touchstone Energy® Cooperative
The power of human connections®

January 2012

100/200 Amp Meter Pole
Meter Base with Disconnect

4848 State Route 325 S P.O. Box 200
Rio Grande, Ohio 45674
Phone: 740-379-2025
Toll Free: 1-877-567-9649
FAX: 740-379-2048