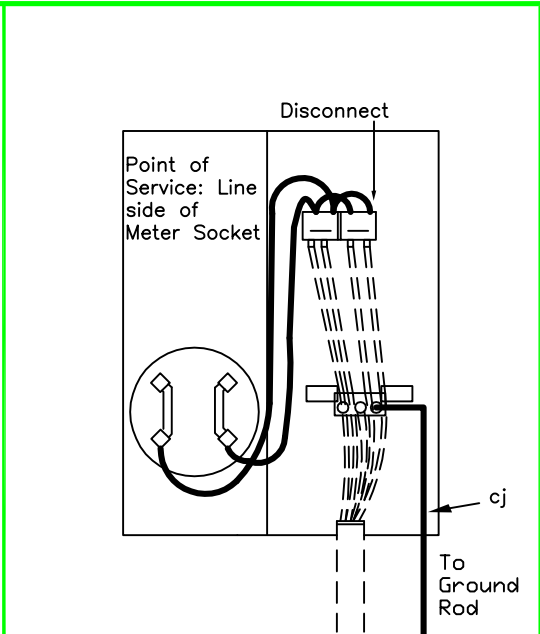


Notes:

1. INSTALL MINIMUM ¼ in. NYLON ROPE IN CONDUIT.
2. All phone, cable and satellite connections are to be bonded to the point of service as specified in the NEC.
3. Ground rod must be less than 25 ohms as specified in the NEC



2 GROUND RODS NOW REQUIRED

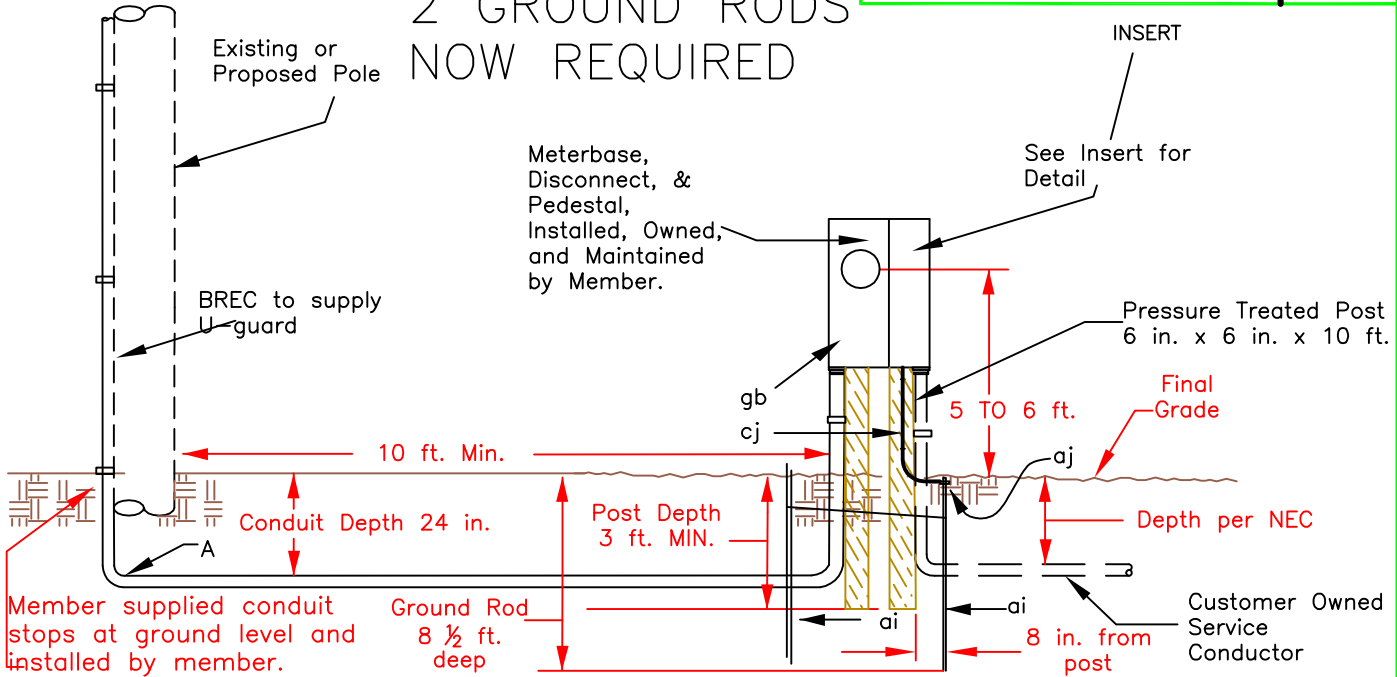


Table 1: Description of Parts

| ITEM | QTY | MATERIAL | ITEM | QTY | MATERIAL |
|------|-----|---|------|-----|----------|
| ai | 2 | Rod, ground, 5/8 in. x 8 ft. (reference NEC 250.56 for resistance levels) | | | |
| aj | 1 | Clamp, Ground Rod | | | |
| cj | 1 | Grounding conductor #6 copper | | | |
| gb | - | 320 Meter Breaker with disconnects | | | |
| - | 2 | Post, Pressure Treated, 6 in. x 6 in. x 10 ft. | | | |
| - | 2 | Ell, 3 in., PVC, Long Sweep | | | |
| - | 1 | Bushing, 3 in. | | | |
| - | 1 | Adapter, Male, 3 in. | | | |
| - | 1 | Locknut, 3 in. | | | |
| A | | 3 in. schedule 40 PVC conduit set 20 ft. from BREC Pole. | | | |



Buckeye REC

Your Touchstone Energy® Cooperative
The power of human connections®

January 2012

400 Amp Meter Pedestal
Meterbase / Disconnect Combo

4848 State Route 325 S P.O. Box 200
Rio Grande, Ohio 45674
Phone: 740-379-2025
Toll Free: 1-877-567-9649
FAX: 740-379-2048