

Notes:

1. METER EQUIPMENT will not be installed on poles owned by BUCKEYE R.E.C.
2. Wire size in Mast 350MCM with 36 in. slack in wire
3. All phone, cable and satellite connections are to be bonded to the point of service as specified in the NEC.
4. Ground rod must be less than 25 ohms as specified in the NEC

Ground Clearance

-18 ft. above public streets or areas subject to truck traffic
 -EXCEPTION: 12 FT. above residential driveway only

Point of Service:
 BREC installed connectors

Meter Base, Disconnect Switch & Secondary Mast Installed & Owned by Member

2 GROUND RODS NOW REQUIRED

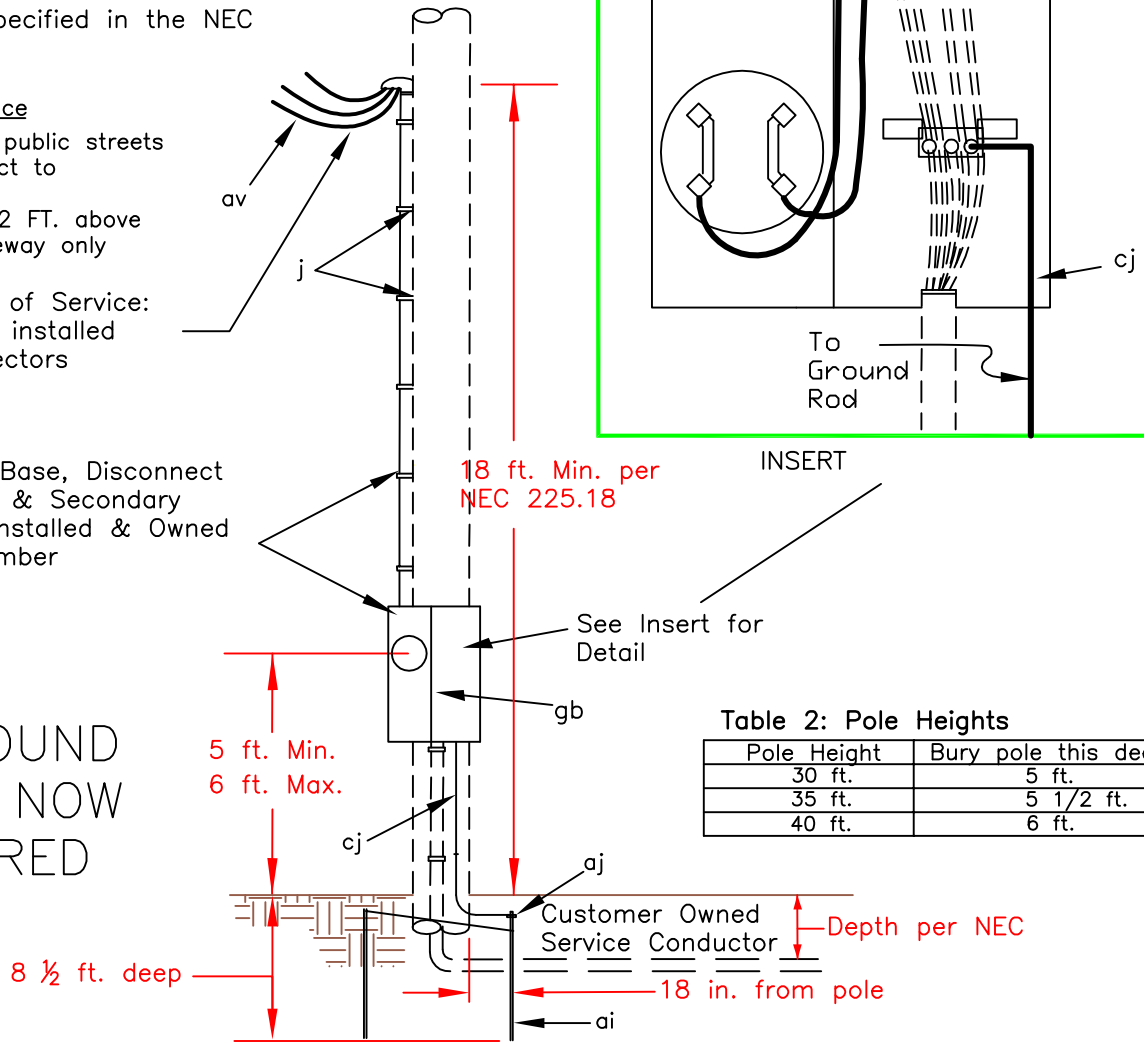


Table 2: Pole Heights

Pole Height	Bury pole this deep
30 ft.	5 ft.
35 ft.	5 1/2 ft.
40 ft.	6 ft.

Table 1: Description of Parts

ITEM	QTY	MATERIAL	ITEM	QTY	MATERIAL
j	12	1/4 in. x 2 in. LAG Screw	-	20	3 in. Conduit, PVC
ai	2	Rod, ground, 5/8 in. x 8 ft. (reference NEC 250.56 for resistance levels)	-	5	Strap, Conduit, 3 in.
aj	1	Clamp, Ground Rod	-	1	Hub, 3 in., Milbank
av	20 ft.	Conductor, Service Cable, 350MCM, Weslyn with 36 in. slack in wire.			
cj	1	Grounding conductor #6 copper			
gb	1	320 Meter Breaker multi circuit			
-	1	Weatherhead, PVC, 3 in.			
-	1	Adapter, Male, 3 in.			

400 Amp Meter Pole
 Meterbase / Disconnect Combo



Buckeye REC

Your Touchstone Energy® Cooperative
 The power of human connections®

January 2012

4848 State Route 325 S P.O. Box 200
 Rio Grande, Ohio 45674
 Phone: 740-379-2025
 Toll Free: 1-877-567-9649
 FAX: 740-379-2048