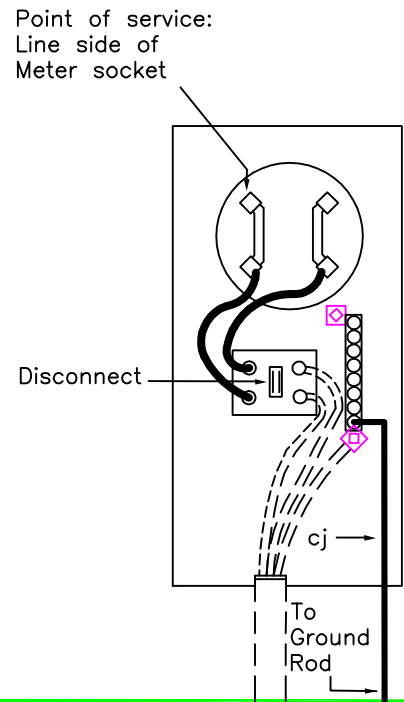


Notes:

1. INSTALL MINIMUM ¼ in. NYLON ROPE IN CONDUIT.
2. All phone, cable and satellite connections are to be bonded to the point of service as specified in the NEC.
3. Ground rod must be less than 25 ohms as specified in the NEC



INSERT

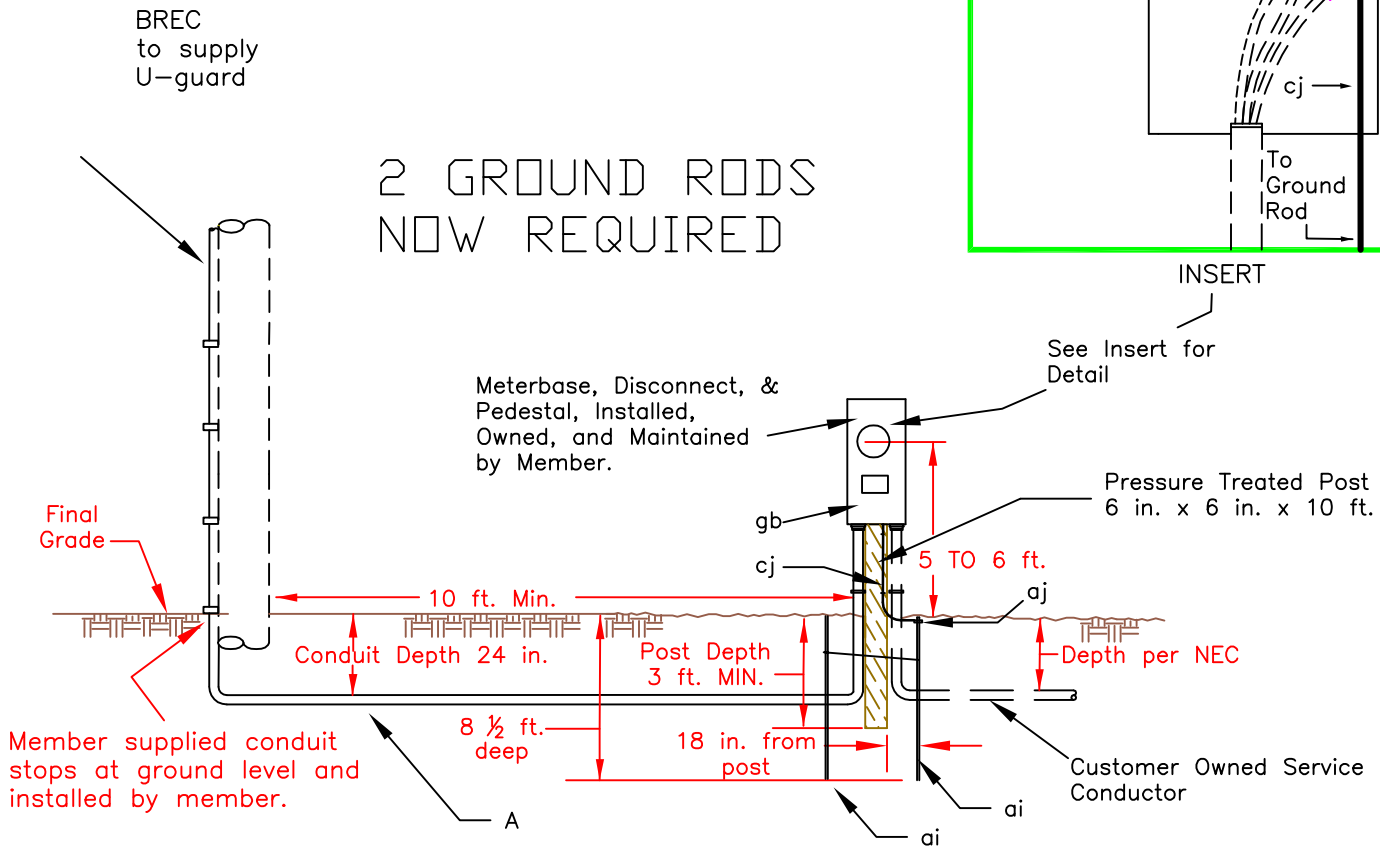


Table 1: Description of Parts

ITEM	QTY	MATERIAL	ITEM	QTY	MATERIAL
ai	2	Rod, ground, 5/8 in. x 8 ft. (reference NEC 250.56 for resistance levels)			
aj	1	Clamp, Ground Rod			
cj	1	Grounding Conductor #6 copper			
gb	1	200A Meter Breaker, multi circuit			
—	2	EII, 2 1/2 in., Long Sweep, PVC			
—	2	Coupling, 2 1/2 in., PVC			
—	1	Bushing, 2 1/2 in.			
—	1	Male Adaptor, 2 1/2 in.			
—	2	Post Pressure Treated, 6 in. x 6 in. x 10 ft.			
A		2 1/2 in. schedule 40 PVC conduit or larger. Set 20 ft. maximum from BREC Pole			

200 Amp Meter Pedestal  
with Meterbase / Disconnect Combo



**Buckeye REC**

Your Touchstone Energy® Cooperative  
The power of human connections®

February 2009

4848 State Route 325 S P.O. Box 200  
Rio Grande, Ohio 45674  
Phone: 740-379-2025  
Toll Free: 1-877-567-9649  
FAX: 740-379-2048