

Use this setup with underground service

Figure 1: General concept for the pedestal and underground service

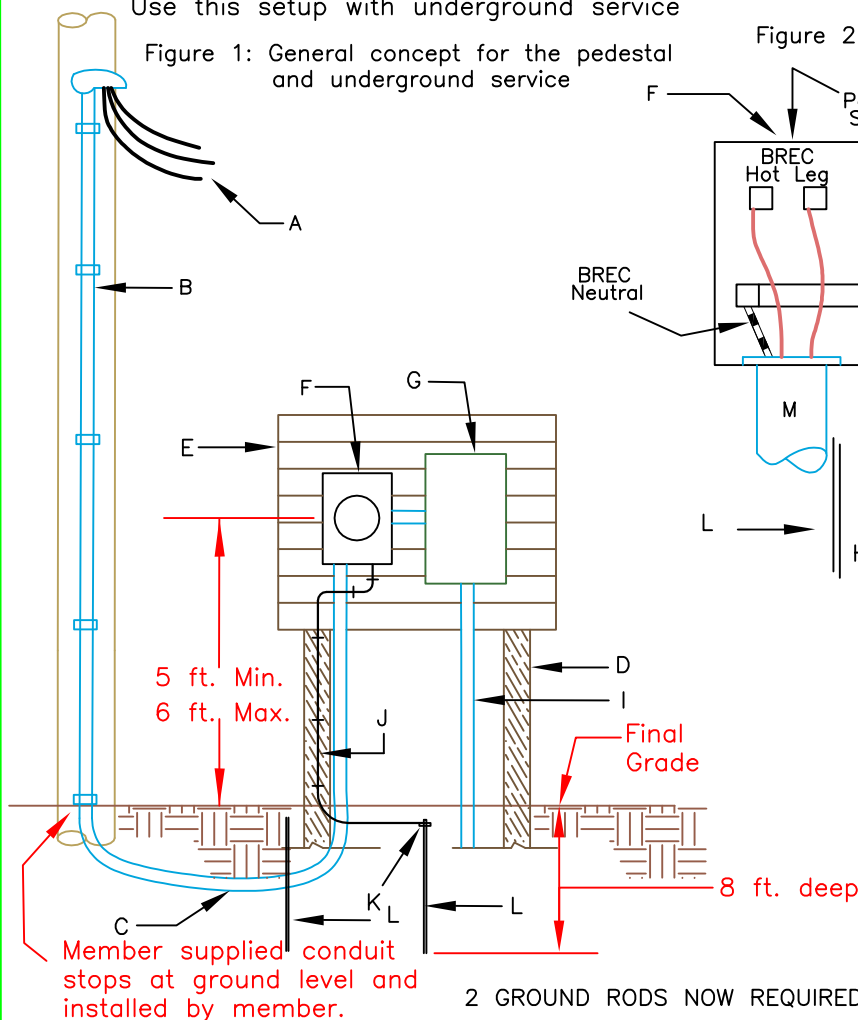
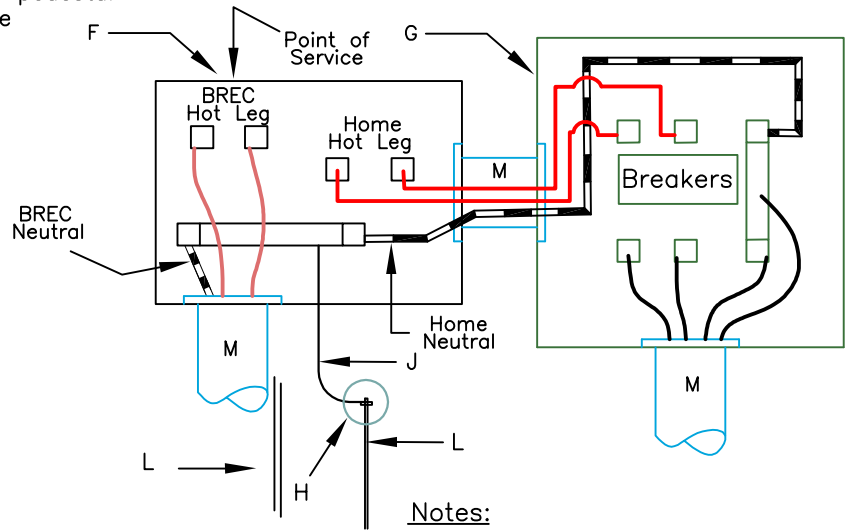


Figure 2: Meter base and disconnect box setup



Notes:

1. 4 Wires required for mobile homes
 - * 2 hot wires
 - * 1 ground wire
 - * 1 neutral wire
2. Mark both neutrals with white tape for BREC and Home
3. See Table 1 for description of parts
4. See Table 2 for wire sizes
5. All phone, cable and satellite connections are to be bonded to the point of service as specified in the NEC.
6. Ground rod must be less than 25 ohms as specified in the NEC
7. INSTALL MINIMUM 1/4 in. NYLON ROPE IN CONDUIT.

Table 2: Wire Sizes

Item	Service Capacity	
Wire Size	100 Amps	200 Amps
Copper	#2	#3/0
Aluminum	#2	#4/0
Conduit Size	2 1/2 in. schedule 40 PVC	2 1/2 in. schedule 40 PVC
Bare copper ground wire	#6	#6
Ground rod	5/8 in. diameter	5/8 in. diameter
Copper weld or galvanized	8 ft. long	8 ft. long

Table 1: Description of Parts

Item	Part	Notes
A	Conductors	Supplied and installed by Buckeye REC
B	U-guard	Supplied and installed by Buckeye REC
C	2 1/2 in. schedule 40 conduit or larger	Set 20 ft. maximum from Buckeye REC pole. Long sweeping elbow. No right angle elbows allowed. Supplied and installed by member.
D	6 in. x 6 in. treated posts (2)	Bury 3 ft. deep. Must be tall enough so that the center of the meter base will be 5 ft. to 6 ft. tall. Cut the top of the post at an angle such that water will drain away from the electrical panels.
E	Backboard for mounting meter base and disconnect box	Use 2 in. x 6 in. treated boards. Use enough boards to mount the meter base and disconnect box. Nail the 2 in. x 6 in. boards to the 6 in. x 6 in. treated posts.
F	Meter base	Must be level and must face the street or walkway.
G	Disconnect Box	Must have over current protection and be waterproof, Multi-Circuit
H	Ground wire, ground rod and ground clamp	See Table 2
I	2 1/2 in. schedule 40 conduit or larger	Exits bottom of disconnect
J	Ground Wire	See Table 2. Connect to neutral bar
K	Ground Clamp	Connects the ground wire to the ground rod
L	Ground Rod	See Table 2. To be buried at least 18 in. from meter base and 8 ft. deep. Reference NEC 250.56 for resistance levels.
M	Water tight connectors	Connects the conduit to the electrical panels

200 Amp Meter Pedestal
with Meter Base and Disconnect



Buckeye REC

Your Touchstone Energy® Cooperative
The power of human connections®

January 2012

4848 State Route 325 S P.O. Box 200
Rio Grande, Ohio 45674
Phone: 740-379-2025
Toll Free: 1-877-567-9649
FAX: 740-379-2048