

Notes:

1. METER EQUIPMENT will not be installed on poles owned by BUCKEYE R.E.C.
2. Wire size in Mast 4/OURD with 36 in. slack in wire.
3. All phone, cable and satellite connections are to be bonded to the point of service as specified in the NEC.
4. Ground rod must be less than 25 ohms as specified in the NEC.

Ground Clearance  
 -18 ft. above public streets or areas subject to truck traffic  
 -EXCEPTION: 12 ft. above residential driveway only

Point of Service:  
 BREC installed connectors

2 GROUND RODS NOW REQUIRED

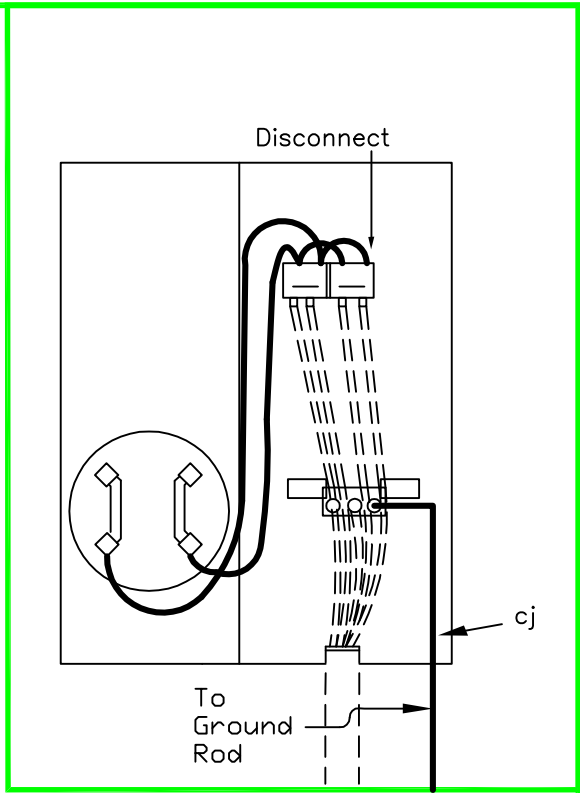
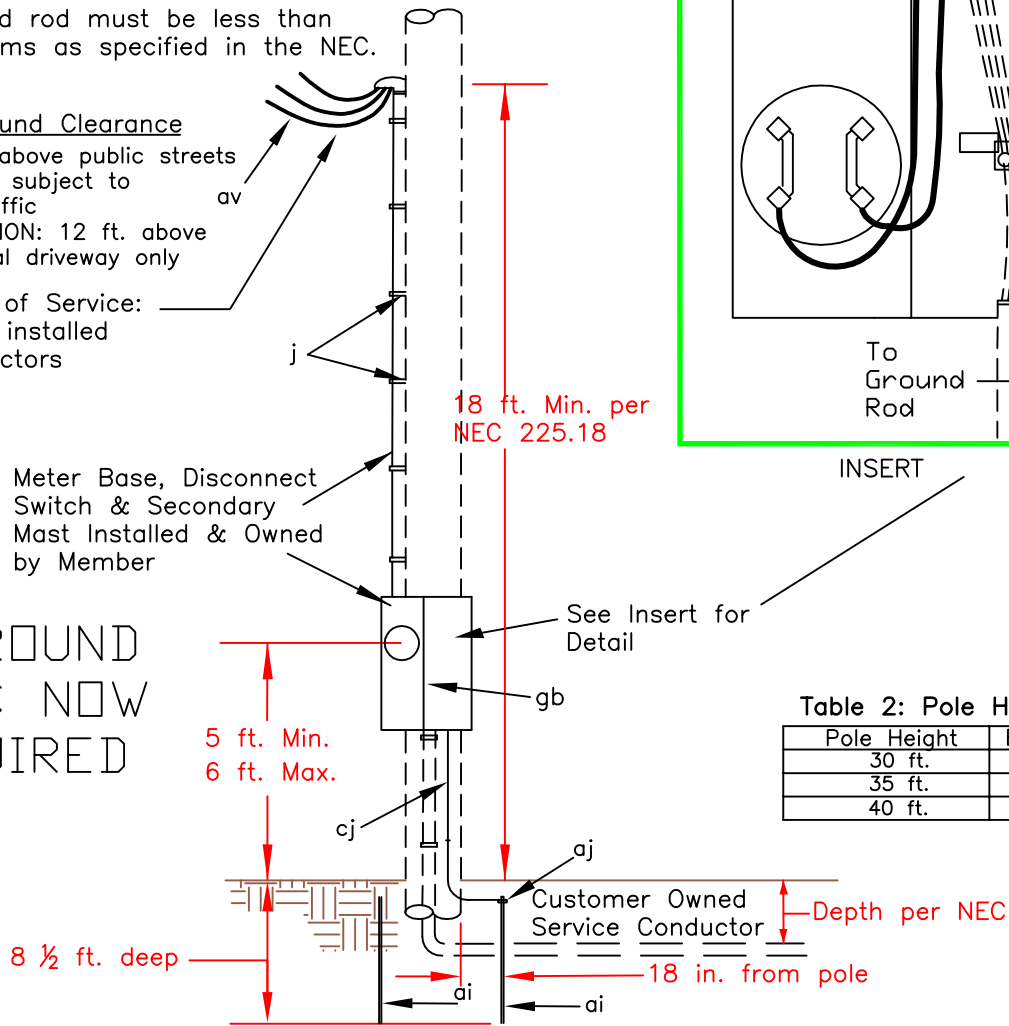


Table 2: Pole Heights

Pole Height	Bury pole this deep
30 ft.	5 ft.
35 ft.	5 1/2 ft.
40 ft.	6 ft.

Table 1: Description of Parts

ITEM	QTY	MATERIAL	ITEM	QTY	MATERIAL
j	12	1/4 in. x 2 in. LAG Screw	cj	1	Grounding conductor #6 copper
ai	2	Rod, ground, 5/8 in. x 8 ft. (reference NEC 250.56 for resistance levels)	av	20 ft.	Conductor, Service Cable, 4/OURD, Weslyn with 36 in. slack.
aj	1	Clamp, Ground Rod			
gb	1	200A Meter / Breaker, multi circuit			
-	1	Weatherhead, PVC, 2 in.			
-	20 ft.	2 in. Conduit, PVC			
-	5	Strap, Conduit, 2 in.			
-	1	Hub, 2 in.			
-	1	Adapter, PVC, 2 in., Male			



**Buckeye REC**

Your Touchstone Energy® Cooperative  
 The power of human connections®

January 2012

200 Amp Meter Pole  
 Meter Base / Disconnect Combo

4848 State Route 325 S P.O. Box 200  
 Rio Grande, Ohio 45674  
 Phone: 740-379-2025  
 Toll Free: 1-877-567-9649  
 FAX: 740-379-2048